



Description

The ICS501 LOCO™ is the most cost effective way to generate a high-quality, high-frequency clock output from a lower frequency crystal or clock input. The name LOCO stands for Low Cost Oscillator, as it is designed to replace crystal oscillators in most electronic systems. Using Phase-Locked Loop (PLL) techniques, the device uses a standard fundamental mode, inexpensive crystal to produce output clocks up to 160 MHz.

Stored in the chip's ROM is the ability to generate nine different multiplication factors, allowing one chip to output many common frequencies (see table on page 2).

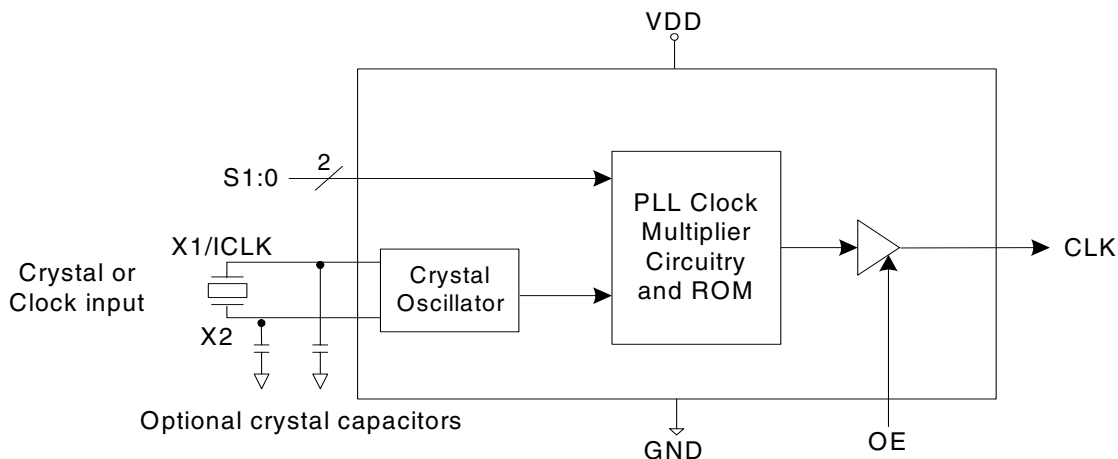
The device also has an output enable pin which tri-states the clock output when the OE pin is taken low.

This product is intended for clock generation. It has low output jitter (variation in the output period), but input to output skew and jitter are not defined or guaranteed. For applications which require defined input to output skew, use the ICS570B.

Features

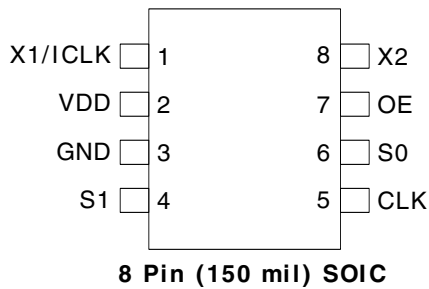
- Packaged as 8-pin SOIC, MSOP, or die
- Available in RoHS 5 (green) or RoHS 6 (green and lead free) compliant packaging
- ICS' lowest cost PLL clock
- Zero ppm multiplication error
- Input crystal frequency of 5 - 27 MHz
- Input clock frequency of 2 - 50 MHz
- Output clock frequencies up to 160 MHz
- Extremely low jitter of 25 ps (one sigma)
- Compatible with all popular CPUs
- Duty cycle of 45/55 up to 160 MHz
- Nine selectable frequencies
- Operating voltage of 3.3 V or 5.5 V
- Tri-state output for board level testing
- 25 mA drive capability at TTL levels
- Ideal for oscillator replacement
- Industrial temperature version available
- Advanced, low-power CMOS process

Block Diagram





Pin Assignment



Clock Output Table

| S1 | S0 | CLK | Minimum Input |
|----|----|---------------|---------------|
| 0 | 0 | 4X input | per page 5 |
| 0 | M | 5.3125X input | 20 MHz |
| 0 | 1 | 5X input | per page 5 |
| M | 0 | 6.25X input | 4 MHz |
| M | M | 2X input | per page 5 |
| M | 1 | 3.125X input | 8 MHz |
| 1 | 0 | 6X input | per page 5 |
| 1 | M | 3X input | per page 5 |
| 1 | 1 | 8X input | per page 5 |

0 = connect directly to ground
 1 = connect directly to VDD
 M = leave unconnected (floating)

Common Output Frequency Examples (MHz)

| | | | | | | | | | | | |
|---------------------------|-----------|--------------|-----------|-----------|--------------|--------------|-----------|------------|---------------|------------|-------------|
| Output | 20 | 24 | 30 | 32 | 33.33 | 37.5 | 40 | 48 | 50 | 60 | 62.5 |
| Input | 10 | 12 | 10 | 16 | 16.66 | 12 | 10 | 12 | 16.66 | 10 | 20 |
| Selection (S1, S0) | M, M | M, M | 1, M | M, M | M, M | M, 1 | 0, 0 | 0, 0 | 1, M | 1, 0 | M, 1 |
| Output | 64 | 66.66 | 72 | 75 | 80 | 83.33 | 90 | 100 | 106.25 | 120 | 125 |
| Input | 16 | 16.66 | 12 | 12 | 10 | 16.66 | 15 | 20 | 20 | 15 | 20 |
| Selection (S1, S0) | 0, 0 | 0, 0 | 1, 0 | M, 0 | 1, 1 | 0, 1 | 1, 0 | 0, 1 | 0, M | 1, 1 | M, 0 |

Pin Descriptions

| Pin Number | Pin Name | Pin Type | Pin Description |
|------------|----------|-----------------|--|
| 1 | X1/ICLK | Input | Crystal connection or clock input. |
| 2 | VDD | Power | Connect to +3.3 V or +5 V. |
| 3 | GND | Power | Connect to ground. |
| 4 | S1 | Tri-level Input | Select 1 for output clock. Connect to GND or VDD or float. |
| 5 | CLK | Output | Clock output per table above. |
| 6 | S0 | Tri-level Input | Select 0 for output clock. Connect to GND or VDD or float. |
| 7 | OE | Input | Output enable. Tri-states CLK output when low. Internal pull-up. |
| 8 | X2 | Output | Crystal connection. Leave unconnected for clock input. |



External Components

Decoupling Capacitor

As with any high-performance mixed-signal IC, the ICS501 must be isolated from system power supply noise to perform optimally.

A decoupling capacitor of 0.01 μ F must be connected between VDD and the GND. It must be connected close to the ICS501 to minimize lead inductance. No external power supply filtering is required for the ICS501.

Series Termination Resistor

A 33 Ω terminating resistor can be used next to the CLK pin for trace lengths over one inch.

Crystal Load Capacitors

The total on-chip capacitance is approximately 12 pF. A parallel resonant, fundamental mode crystal should be used. The device crystal connections should include pads for small capacitors from X1 to ground and from X2 to ground. These capacitors are used to adjust the stray capacitance of the board to match the nominally required crystal load capacitance. Because load capacitance can only be increased in this trimming process, it is important to keep stray capacitance to a minimum by using very short PCB traces (and no vias) between the crystal and device. Crystal capacitors, if needed, must be connected from each of the pins X1 and X2 to ground.

The value (in pF) of these crystal caps should equal $(C_L - 12 \text{ pF}) \times 2$. In this equation, C_L = crystal load capacitance in pF. Example: For a crystal with a 16 pF load capacitance, each crystal capacitor would be 8 pF $[(16 - 12) \times 2 = 8]$.



Absolute Maximum Ratings

Stresses above the ratings listed below can cause permanent damage to the ICS501. These ratings, which are standard values for ICS commercially rated parts, are stress ratings only. Functional operation of the device at these or any other conditions above those indicated in the operational sections of the specifications is not implied. Exposure to absolute maximum rating conditions for extended periods can affect product reliability. Electrical parameters are guaranteed only over the recommended operating temperature range.

| Item | Rating |
|-------------------------------|---------------------|
| Supply Voltage, VDD | 7 V |
| All Inputs and Outputs | -0.5 V to VDD+0.5 V |
| Ambient Operating Temperature | -40 to +85°C |
| Storage Temperature | -65 to +150°C |
| Soldering Temperature | 260°C |

Recommended Operation Conditions

| Parameter | Min. | Typ. | Max. | Units |
|---|------|------|------|-------|
| Ambient Operating Temperature (commercial) | 0 | | +70 | °C |
| Ambient Operating Temperature (industrial) | -40 | | 85 | °C |
| Power Supply Voltage (measured in respect to GND) | +3.0 | | +5.5 | V |

DC Electrical Characteristics

VDD=5.0 V ±5% , Ambient temperature -40 to +85°C, unless stated otherwise

| Parameter | Symbol | Conditions | Min. | Typ. | Max. | Units |
|-----------------------------------|-----------------|--------------------------|-----------|------|-----------|-------|
| Operating Voltage | VDD | | 3.0 | | 5.5 | V |
| Input High Voltage, ICLK only | V _{IH} | ICLK (pin 1) | (VDD/2)+1 | | | V |
| Input Low Voltage, ICLK only | V _{IL} | ICLK (pin 1) | | | (VDD/2)-1 | V |
| Input High Voltage | V _{IH} | OE (pin 7) | 2.0 | | | V |
| Input Low Voltage | V _{IL} | OE (pin 7) | | | 0.8 | V |
| Input High Voltage | V _{IH} | S0, S1 | VDD-0.5 | | | V |
| Input Low Voltage | V _{IL} | S0, S1 | | | 0.5 | V |
| Output High Voltage | V _{OH} | I _{OH} = -25 mA | 2.4 | | | V |
| Output Low Voltage | V _{OL} | I _{OL} = 25 mA | | | 0.4 | V |
| IDD Operating Supply Current, 20 | | No load, 100M | | 20 | | mA |
| Short Circuit Current | | CLK output | | ±70 | | mA |
| On-Chip Pull-up Resistor | | Pin 7 | | 270 | | kΩ |
| Input Capacitance, S1, S0, and OE | | Pins 4, 6, 7 | | 4 | | pF |
| Nominal Output Impedance | | | | 20 | | Ω |



AC Electrical Characteristics

VDD = 5.0 V \pm 5%, Ambient Temperature -40 to +85° C, unless stated otherwise

| Parameter | Symbol | Conditions | Min. | Typ. | Max. | Units |
|--|------------------|----------------------|------|----------|------|-------|
| Input Frequency, crystal input | F _{IN} | | 5 | | 27 | MHz |
| Input Frequency, clock input | F _{IN} | | 2 | | 50 | MHz |
| Output Frequency, VDD = 4.5 to 5.5 V | F _{OUT} | 0°C to +70°C | 13 | | 160 | MHz |
| | | -40°C to +85°C | 13 | | 140 | MHz |
| Output Frequency, VDD = 3.0 to 3.6 V | F _{OUT} | 0°C to +70°C | 13 | | 100 | MHz |
| | | -40°C to +85°C | 13 | | 90 | MHz |
| Output Clock Rise Time | t _{OR} | 0.8 to 2.0 V, Note 1 | | 1 | | ns |
| Output Clock Fall Time | t _{OF} | 2.0 to 8.0 V, Note 1 | | 1 | | ns |
| Output Clock Duty Cycle | t _{OD} | 1.5 V, up to 160 MHz | 45 | 49-51 | 55 | % |
| PLL Bandwidth | | | 10 | | | kHz |
| Output Enable Time, OE high to output on | | | | 50 | | ns |
| Output Disable Time, OE low to tri-state | | | | 50 | | ns |
| Absolute Clock Period Jitter | t _{ja} | Deviation from mean | | \pm 70 | | ps |
| One Sigma Clock Period Jitter | t _{js} | | | 25 | | ps |

Note 1: Measured with 15 pF load.

Thermal Characteristics for 8SOIC

| Parameter | Symbol | Conditions | Min. | Typ. | Max. | Units |
|--|---------------|----------------|------|------|------|-------|
| Thermal Resistance Junction to Ambient | θ_{JA} | Still air | | 150 | | °C/W |
| | θ_{JA} | 1 m/s air flow | | 140 | | °C/W |
| | θ_{JA} | 3 m/s air flow | | 120 | | °C/W |
| Thermal Resistance Junction to Case | θ_{JC} | | | 40 | | °C/W |
| Thermal Resistance Junction to Top of Case | Ψ_{JT} | Still air | | 20 | | °C/W |

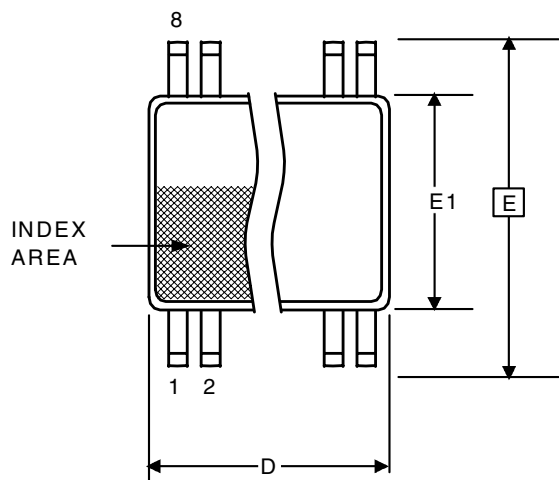
Thermal Characteristics for 8MSOP

| Parameter | Symbol | Conditions | Min. | Typ. | Max. | Units |
|--|---------------|------------|------|------|------|-------|
| Thermal Resistance Junction to Ambient | θ_{JA} | Still air | | 95 | | °C/W |
| Thermal Resistance Junction to Case | θ_{JC} | | | 48 | | °C/W |



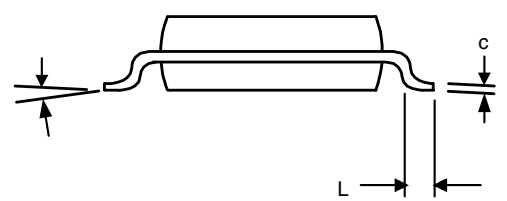
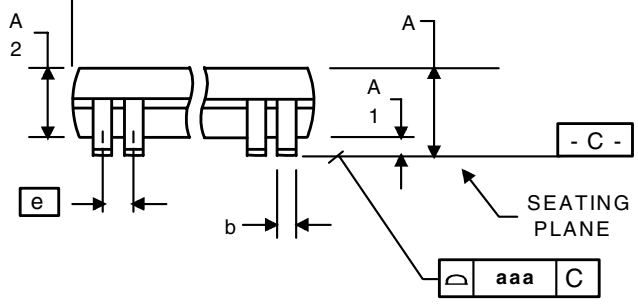
Package Outline and Package Dimensions (8-pin MSOP, 3.00 mm Body)

Package dimensions are kept current with JEDEC Publication No. 95



| Symbol | Millimeters | | Inches* | |
|----------|-------------|------|--------------|-------|
| | Min | Max | Min | Max |
| A | -- | 1.10 | -- | 0.043 |
| A1 | 0 | 0.15 | 0 | 0.006 |
| A2 | 0.79 | 0.97 | 0.031 | 0.038 |
| b | 0.22 | 0.38 | 0.008 | 0.015 |
| C | 0.08 | 0.23 | 0.003 | 0.009 |
| D | 3.00 BASIC | | 0.118 BASIC | |
| E | 4.90 BASIC | | 0.193 BASIC | |
| E1 | 3.00 BASIC | | 0.118 BASIC | |
| e | 0.65 Basic | | 0.0256 Basic | |
| L | 0.40 | 0.80 | 0.016 | 0.032 |
| α | 0° | 8° | 0° | 8° |
| aaa | - | 0.10 | - | 0.004 |

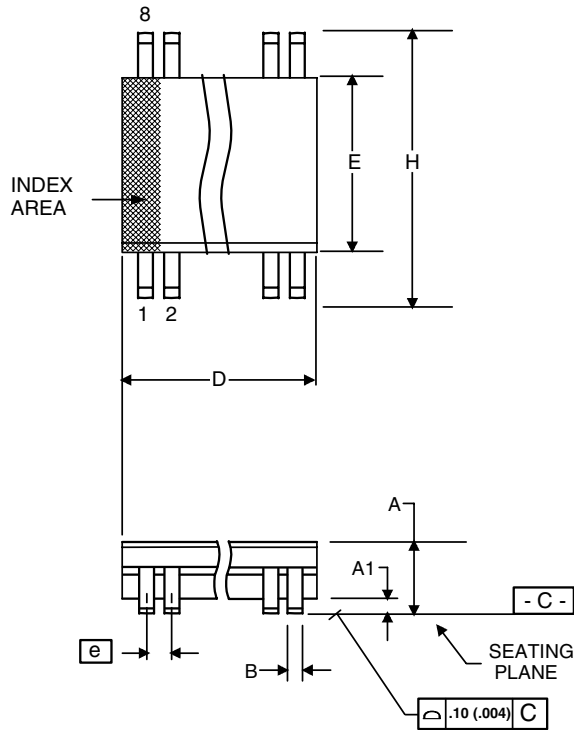
*For reference only. Controlling dimensions in mm.





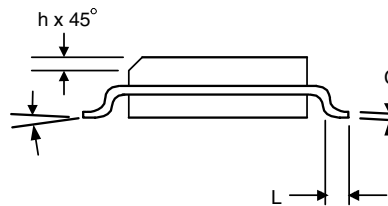
Package Outline and Package Dimensions (8-pin SOIC, 150 Mil. Narrow Body)

Package dimensions are kept current with JEDEC Publication No. 95



| Symbol | Millimeters | | Inches* | |
|----------|-------------|------|-------------|-------|
| | Min | Max | Min | Max |
| A | 1.35 | 1.75 | .0532 | .0688 |
| A1 | 0.10 | 0.25 | .0040 | .0098 |
| B | 0.33 | 0.51 | .013 | .020 |
| C | 0.19 | 0.25 | .0075 | .0098 |
| D | 4.80 | 5.00 | .1890 | .1968 |
| E | 3.80 | 4.00 | .1497 | .1574 |
| e | 1.27 BASIC | | 0.050 BASIC | |
| H | 5.80 | 6.20 | .2284 | .2440 |
| h | 0.25 | 0.50 | .010 | .020 |
| L | 0.40 | 1.27 | .016 | .050 |
| α | 0° | 8° | 0° | 8° |

*For reference only. Controlling dimensions in mm.





Ordering Information

| Part / Order Number | Marking | Shipping Packaging | Package | Temperature |
|---------------------|---------|-----------------------------|------------|---------------|
| ICS501M | ICS501M | Tubes | 8-pin SOIC | 0 to +70° C |
| ICS501MT | ICS501M | Tape and Reel | 8-pin SOIC | 0 to +70° C |
| ICS501MI | ICS501I | Tubes | 8-pin SOIC | -40 to +85° C |
| ICS501MIT | ICS501I | Tape and Reel | 8-pin SOIC | -40 to +85° C |
| ICS501MLF | 501MLF | Tubes | 8-pin SOIC | 0 to +70° C |
| ICS501MLFT | 501MLF | Tape and Reel | 8-pin SOIC | 0 to +70° C |
| ICS501MILF | 501MILF | Tubes | 8-pin SOIC | -40 to +85° C |
| ICS501MILFT | 501MILF | Tape and Reel | 8-pin SOIC | -40 to +85° C |
| ICS501G | 501G | Tubes | 8-pin MSOP | 0 to +70° C |
| ICS501GT | 501G | Tape and Reel | 8-pin MSOP | 0 to +70° C |
| ICS501GI | 501GI | Tubes | 8-pin MSOP | -40 to +85° C |
| ICS501GIT | 501GI | Tape and Reel | 8-pin MSOP | -40 to +85° C |
| ICS501GLF | 501GL | Tubes | 8-pin MSOP | 0 to +70° C |
| ICS501GLFT | 501GL | Tape and Reel | 8-pin MSOP | 0 to +70° C |
| ICS501GILF | 501GIL | Tubes | 8-pin MSOP | -40 to +85° C |
| ICS501GILFT | 501GIL | Tape and Reel | 8-pin MSOP | -40 to +85° C |
| ICS501-DWF | - | Die on uncut, probed wafers | | 0 to +70° C |
| ICS501-DPK | - | Tested die in waffle pack | | 0 to +70° C |

Parts that are ordered with a "LF" suffix to the part number are the Pb-Free configuration and are RoHS compliant.

While the information presented herein has been checked for both accuracy and reliability, Integrated Circuit Systems (ICS) assumes no responsibility for either its use or for the infringement of any patents or other rights of third parties, which would result from its use. No other circuits, patents, or licenses are implied. This product is intended for use in normal commercial applications. Any other applications such as those requiring extended temperature range, high reliability, or other extraordinary environmental requirements are not recommended without additional processing by ICS. ICS reserves the right to change any circuitry or specifications without notice. ICS does not authorize or warrant any ICS product for use in life support devices or critical medical instruments.